

# Kidde Fire Protection

## NATURA™ (400 Series) Inert Gas System

### Component Description

### 140 Litre Manifold Components

#### FEATURES

- For Approvals, see the “COMPATIBILITY” table.
- REACH and RoHS compliant

#### DESCRIPTION

140 Litre Manifolds are available in single and double row configurations. 140 Litre Manifolds can be coupled together using the 2" BSP Manifold Coupling (P/N: 38-400020-100) and capped off using a 2" BSP Manifold Endcap (38-400020-101).

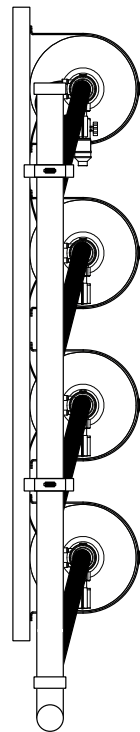
#### SPECIFICATIONS

Test Pressure: 105 bar (1523 psi)  
Max WP: 70 bar (1015 psi)  
Material: Mild Steel 2" SCH 40  
Finish: Electro Zinc Plated

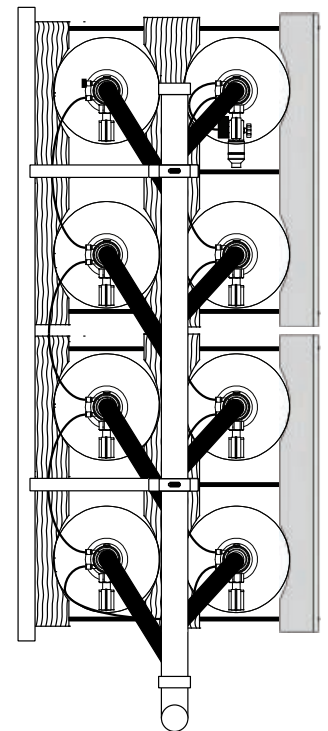


#### ORDERING INFORMATION

Part Number	Description
38-351140-004	140 Litre 2 Stub 1 Row 2" Manifold BSP, with 2 manifold check valves
38-351140-005	140 Litre 3 Stub 1 Row 2" Manifold BSP, with 3 manifold check valves
38-351140-006	140 Litre 4 Stub 1 Row 2" Manifold BSP, with 4 manifold check valves
38-351140-007	140 Litre 5 Stub 1 Row 2" Manifold BSP, with 5 manifold check valves
38-351140-008	140 Litre 6 Stub 1 Row 2" Manifold BSP, with 6 manifold check valves
38-351140-009	140 Litre 4 Stub 2 Row 2" Manifold BSP, with 4 manifold check valves
38-351140-010	140 Litre 6 Stub 2 Row 2" Manifold BSP, with 6 manifold check valves
38-351140-011	140 Litre 8 Stub 2 Row 2" Manifold BSP, with 8 manifold check valves

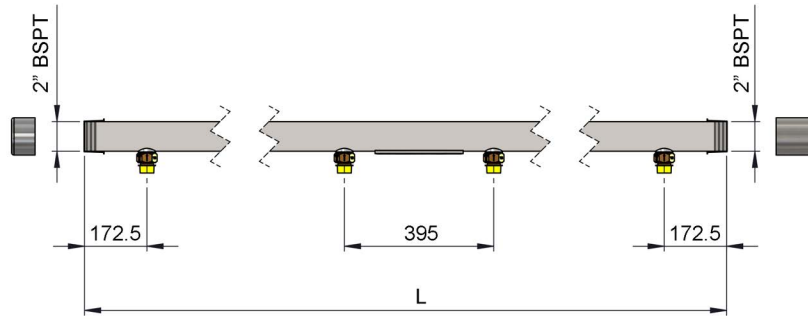


Single Row Manifold  
Top View



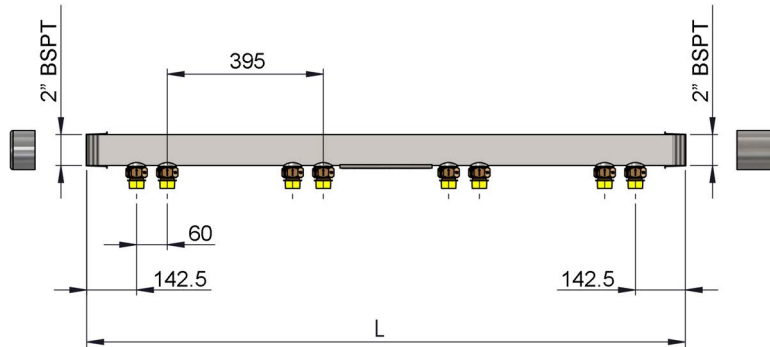
Double Row Manifold  
Top View

## SINGLE ROW MANIFOLD DIMENSIONS



Part Number	Cylinder Quantity	Length, L (mm)	Volume (Litre)	Approx. Weight
38-351140-004	2	740	1.60	4.6 kg (10.2 lbs)
38-351140-005	3	1135	2.45	7.0 kg (15.4 lbs)
38-351140-006	4	1530	3.30	9.3 kg (20.6 lbs)
38-351140-007	5	1925	4.16	11.7 kg (25.8 lbs)
38-351140-008	6	2320	5.01	14.0 kg (31.0 lbs)

## DOUBLE ROW MANIFOLD DIMENSIONS



Part Number	Cylinder Quantity	Length, L (mm)	Volume (Litre)	Approx. Weight
38-351140-009	4	740	1.60	5.2 kg (11.4 lbs)
38-351140-010	6	1135	2.45	7.8 kg (17.2 lbs)
38-351140-011	8	1530	3.30	10.4 kg (23.0 lbs)

## COMPATIBILITY

Series	DIOM P/N	Approvals*
Natura IGS system	06-237518-001	LPCB, FM, UL
* For additional listings, contact Kidde Fire Protection		

### EXPORT INFORMATION (USA)

Jurisdiction: EAR  
 Classification: EAR99  
 This document contains technical data subject to the EAR.

This literature is provided for informational purposes only. Kidde-Fenwal, LLC believes this data to be accurate, but it is published and presented without any guarantee or warranty whatsoever. Kidde-Fenwal, LLC assumes no responsibility for the product's suitability for a particular application. The product must be properly applied to work correctly. If you need more information on this product, or if you have a particular problem or question, contact KIDDE-FENWAL, LLC, Ashland, MA 01721.

Kidde-Fenwal, LLC  
 400 Main Street  
 Ashland, MA 01721, USA

KFI U.K. Limited  
 Station Road,  
 Bentham, Lancaster, LA2 7NA, UK

Kidde Technologies  
 Survey No. 28/2, 44/2 and 45  
 Rasyani, Dandapta Road  
 Raigad Maharashtra-410207, India

[kiddefenwal.com](http://kiddefenwal.com) | 508.881.2000

Kidde Fire Systems, Kidde Fire Protection and Fenwal Controls branded products are created exclusively by Kidde-Fenwal, LLC.  
 Unistrut is a registered trademark of Atkore International Group. Argonite is a registered trademark of Kidde-Fenwal, LLC.  
 All other trademarks are the property of their respective owners.  
 2026© Kidde-Fenwal, LLC | All Rights Reserved

P/N: KDS 38-351140-00X, KP-38-3001 Rev. AD