

Kidde Fire Protection

NATURA™ (400 Series) Inert Gas System

Component Description

360° and 180° Degree Nozzle

FEATURES

- For Approvals, see the “COMPATIBILITY” table.
- REACH and RoHS compliant

ORDERING INFORMATION FOR 360 NOZZLES

Part Number	Description
NPT Nozzles	
38-407100-XXX	Nozzle Assembly, 1/2" NPT, 360°
38-407200-XXX	Nozzle Assembly, 3/4" NPT, 360°
38-407300-XXX	Nozzle Assembly, 1" NPT, 360°
38-407400-XXX	Nozzle Assembly, 1-1/2" NPT, 360°
BSP Nozzles	
38-417100-XXX	Nozzle Assembly, 1/2" BSP, 360°
38-417200-XXX	Nozzle Assembly, 3/4" BSP, 360°
38-417300-XXX	Nozzle Assembly, 1" BSP, 360°
38-417400-XXX	Nozzle Assembly, 1-1/2" BSP, 360°



Figure 1. 360° Nozzles

ORDERING INFORMATION FOR 180 NOZZLES

Part Number	Description
NPT Nozzles	
38-407500-XXX	Nozzle Assembly, 1/2" NPT, 180°
38-407600-XXX	Nozzle Assembly, 3/4" NPT, 180°
38-407700-XXX	Nozzle Assembly, 1" NPT, 180°
38-407800-XXX	Nozzle Assembly, 1-1/2" NPT, 180°
BSP Nozzles	
38-417500-XXX	Nozzle Assembly, 1/2" BSP, 180°
38-417600-XXX	Nozzle Assembly, 3/4" BSP, 180°
38-417700-XXX	Nozzle Assembly, 1" BSP, 180°
38-417800-XXX	Nozzle Assembly, 1-1/2" BSP, 180°

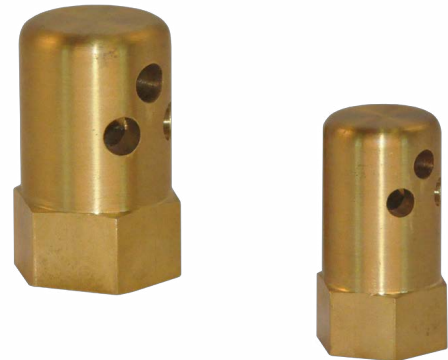


Figure 2. 180° Nozzles

Note: A selection of orifices are available for each nozzle size. Consult your Kidde Fire Protection NATURA™ (400 Series) Inert Gas System Design, Installation and Operation Manual for details.

COMPATIBILITY

Series	DIOM P/N	Approvals*
Natura IGS system	06-237518-001	LPCB, FM, UL
* For additional listings, contact Kidde Fire Protection		

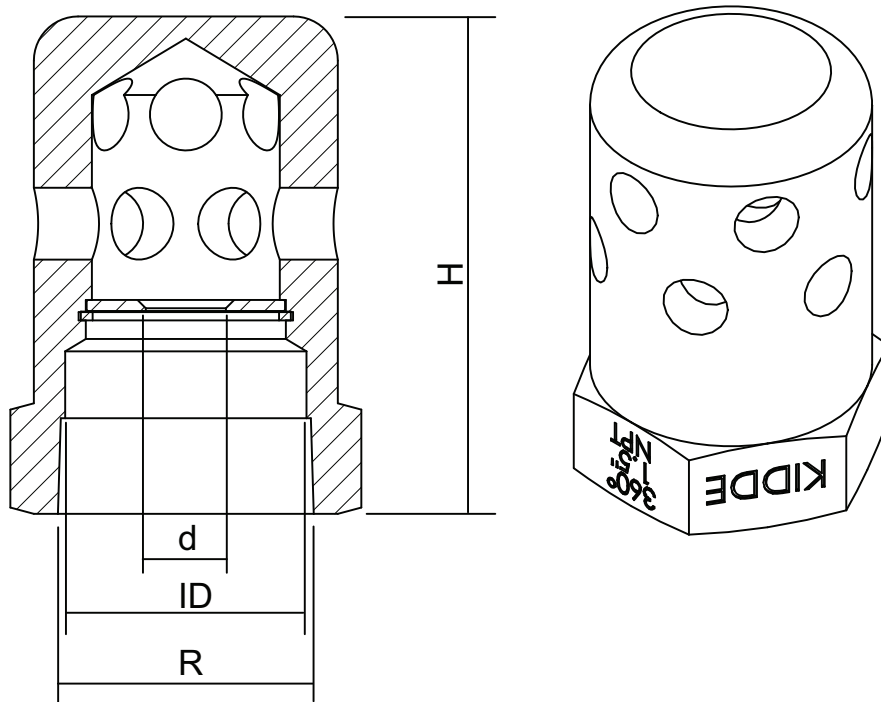


Figure 3.

Nozzle Size	1/2"	3/4"	1"	1 1/2"
Thread Size, R	1/2"	3/4"	1"	1-1/2"
Height, H	43mm	55mm	70mm	95mm
A/F Hex	22mm	28mm	36mm	50mm
Inside Dia, ID	15mm	20mm	25mm	36mm
Weight	~80g (0.18 lbs)	~120g (0.26 lbs)	~260g (0.57 lbs)	~670g (1.47 lbs)
Material	Brass CuZn39Pb3			

Note:

- In accordance with PED/PE(S)R, only the 1 1/2" Nozzle(s) have the CE & UKCA marks
- Maximum Coverage of Any Single Nozzle: 110m²
- Installation Height Single Level: MAX 4.88m (5m)
- Distance Between Nozzles: MAX. 7m.
- Distance To Wall: MAX. 5.3m.
- Max. Nozzle Working Pressure: 60 bar.*
- Always verify nozzle and orifice size through flow calculating program.
- Never let the working pressure exceed the rating of the pipe work used.
- Temp Range(s):
 ISO/EN: -20° to 50°C (-4° to 122°F)
 FM Approved / UL Listed: -20° to 54°C (-4° to 130°F)*
 *Unless superseded by local/national standards

EXPORT INFORMATION (USA)

Jurisdiction: EAR
 Classification: EAR99
 This document contains technical data subject to the EAR.

This literature is provided for informational purposes only. Kidde-Fenwal, LLC believes this data to be accurate, but it is published and presented without any guarantee or warranty whatsoever. Kidde-Fenwal, LLC assumes no responsibility for the product's suitability for a particular application. The product must be properly applied to work correctly. If you need more information on this product, or if you have a particular problem or question, contact KIDDE-FENWAL, LLC, Ashland, MA 01721.

Kidde-Fenwal, LLC
 400 Main Street
 Ashland, MA 01721, USA

KFI U.K. Limited
 Station Road,
 Bentham, Lancaster, LA2 7NA, UK

Kidde Technologies
 Survey No. 28/2, 44/2 and 45
 Rasyani, Dandapta Road
 Raigad Maharashtra-410207, India

kiddefenwal.com | 508.881.2000



Kidde Fire Systems, Kidde Fire Protection and Fenwal Controls branded products are created exclusively by Kidde-Fenwal, LLC.
 Unistrut is a registered trademark of Atkore International Group. Argonite is a registered trademark of Kidde-Fenwal, LLC.
 All other trademarks are the property of their respective owners.
 2026© Kidde-Fenwal, LLC | All Rights Reserved

P/N: KDS 38-4X7X00-XXX, KP-38-2500 Rev. AD

