

# Kidde Fire Protection

## NATURA™ (400 Series) Inert Gas System

### Component Description

#### Pilot Line Bleed Valve

#### FEATURES

- For Approvals, see the “COMPATIBILITY” table.
- REACH and RoHS compliant

#### DESCRIPTION

Install a pilot line bleed valve (P/N 38-400007-001) in the unused actuation hose connection in the last cylinder of a cylinder bank. The bleeder valve prevents inadvertent actuation from a build up of pressure in the actuation line caused by a slow leak. In order to bleed pressure from the valve, use the pilot vent tool (15-8400-8500) to depress the valve through the small vent hole (see Figure 3).

#### SPECIFICATIONS

- Working Pressure: 8 bar (116 psi)
- Nominal Dia.: DN 1
- Closing Pressure: ≤ 4 bar (≤ 58 psi)
- Body Material: Stainless Steel
- Weight: 25g (0.05 lbs)

#### Temp Range(s):

- ISO/EN: -20° to 50°C (-4° to 122°F)
- FM Approved / UL Listed: -20° to 54°C (-4° to 130°F)\*

\*Unless superseded by local/national standards

#### ORDERING INFORMATION

Part Number	Description
38-400007-001	Bleeder Valve
15-8400-8500	Pilot Vent Tool

#### COMPATIBILITY

Series	DIOM P/N	Approvals*
Natura IGS system	06-237518-001	LPCB, FM, UL
* For additional listings, contact Kidde Fire Protection		



Figure 1. Pilot Line Bleed Valve

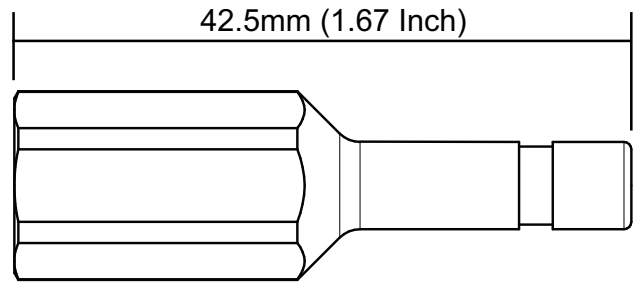


Figure 2. Pilot Line Bleed Valve Dimensions

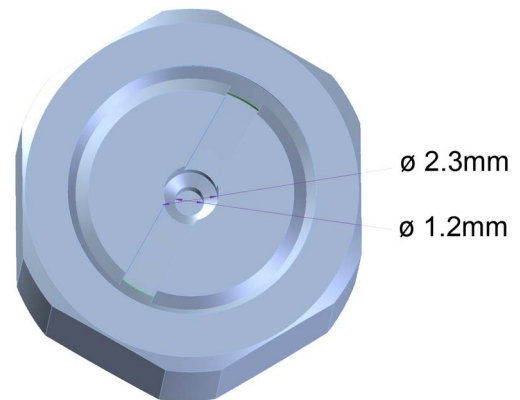


Figure 3. Vent Hole Location

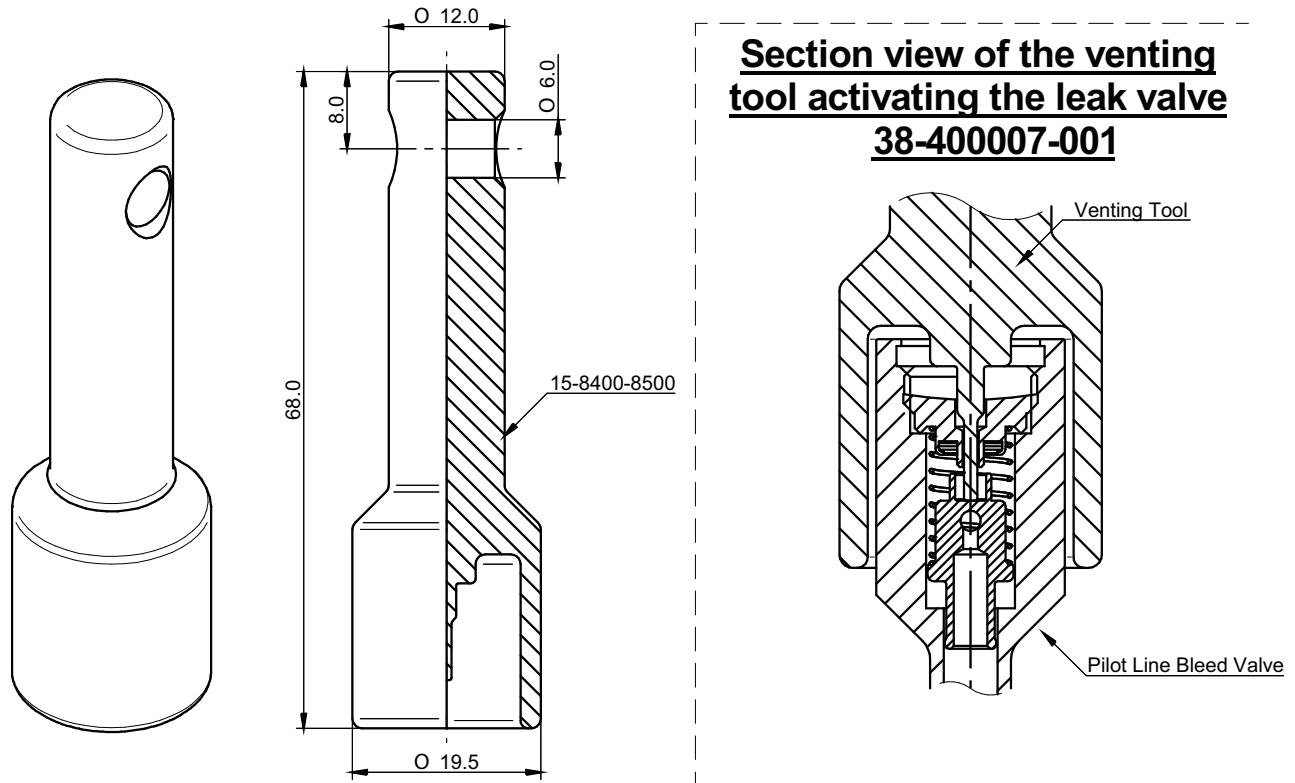


Figure 4. Vent Tool

**EXPORT INFORMATION (USA)**

Jurisdiction: EAR

Classification: EAR99

This document contains technical data subject to the EAR.

This literature is provided for informational purposes only. Kidde-Fenwal, LLC believes this data to be accurate, but it is published and presented without any guarantee or warranty whatsoever. Kidde-Fenwal, LLC assumes no responsibility for the product's suitability for a particular application. The product must be properly applied to work correctly. If you need more information on this product, or if you have a particular problem or question, contact KIDDE-FENWAL, LLC, Ashland, MA 01721.

Kidde-Fenwal, LLC  
400 Main Street  
Ashland, MA 01721, USA

KFI U.K. Limited  
Station Road,  
Bentham, Lancaster, LA2 7NA, UK

Kidde Technologies  
Survey No. 28/2, 44/2 and 45  
Rasyani, Dandapta Road  
Raigad Maharashtra-410207, India

**kiddefenwal.com | 508.881.2000**



Kidde Fire Systems, Kidde Fire Protection and Fenwal Controls branded products are created exclusively by Kidde-Fenwal, LLC.

Unistrut is a registered trademark of Atkore International Group. Argonite is a registered trademark of Kidde-Fenwal, LLC.

All other trademarks are the property of their respective owners.

2026© Kidde-Fenwal, LLC | All Rights Reserved

P/N: KDS 38-400007-001, KP-38-2190 Rev. AD