

# Kidde Fire Protection

## NATURA™ (400 Series) Inert Gas System

### Cylinder Racking Component Description

#### Clamping Bolt

#### FEATURES

- For Approvals, see the “COMPATIBILITY” table.
- REACH and RoHS compliant

#### DESCRIPTION

This kit contains a bolt used to connect the front clamping bar to the Unistrut® rail. This kit contains the follow parts:

#*	Part	Material
1	M12 Stay Bolt	Stainless Steel AISI 304
2	Ø30 Washer with Recess	Stainless Steel AISI 304
3	M12 Hex. Nut (2 PCS.)	Stainless Steel AISI 304
4	M12 Plate Nut	Steel P3010/M12 EL - Galvanized
5	M12 Washer Ø30/13 x 3mm	Stainless Steel AISI 304
6	M12 Lock Nut	Steel EL-Galvanized

\*See Figure 2

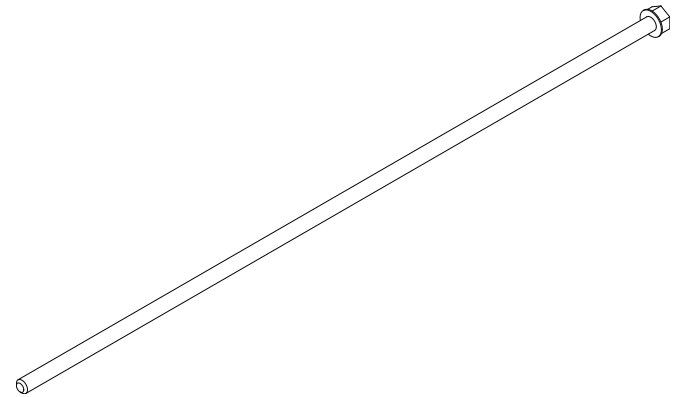


Figure 1.

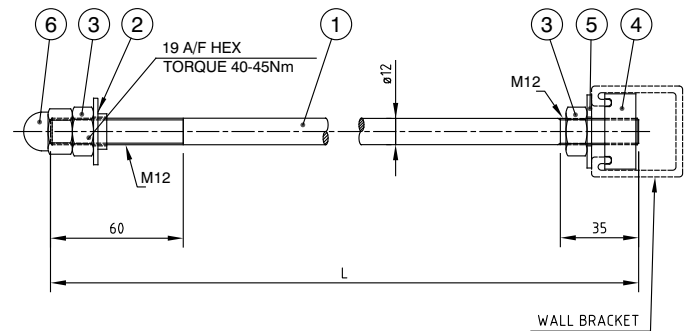


Figure 2.

#### ORDERING INFORMATION

Part Number	Description	Weight
01-8337-0200	Clamping Bolt, 2 Row, 715mm Length, 80L	0.7 kg (1.5 lbs)
01-8337-0300	Clamping Bolt, 3 Row, 1030mm Length, 80L	1.2 kg (2.6 lbs)
01-8437-0200	Clamping Bolt, 2 Row, 895mm Length, 140L	1.5 kg (3.3 lbs)

#### COMPATIBILITY

Series	DIOM P/N	Approvals*
Natura IGS system	06-237518-001	LPCB, FM, UL

\* For additional listings, contact Kidde Fire Protection

This literature is provided for informational purposes only. Kidde-Fenwal, LLC believes this data to be accurate, but it is published and presented without any guarantee or warranty whatsoever. Kidde-Fenwal, LLC assumes no responsibility for the product's suitability for a particular application. The product must be properly applied to work correctly. If you need more information on this product, or if you have a particular problem or question, contact KIDDE-FENWAL, LLC, Ashland, MA 01721.

Kidde-Fenwal, LLC  
400 Main Street  
Ashland, MA 01721, USA

KFI U.K. Limited  
Station Road,  
Bentham, Lancaster, LA2 7NA, UK

Kidde Technologies  
Survey No. 28/2, 44/2 and 45  
Rasyani, Dandapta Road  
Raigad Maharashtra-410207, India