

Kidde Fire Protection

NATURA™ (400 Series) Inert Gas System

Cylinder Racking Component Description

Distance Pipe

FEATURES

- For Approvals, see the “COMPATIBILITY” table.
- REACH and RoHS compliant

DESCRIPTION

Use the distance pipe as a spacer when the front row of a cylinder rack has less cylinders than the rear row of the rack. Distance Pipes are only used on multi-row systems.

Note: Use together with clamping bolts:
P/N 01-8337-0200, 01-8337-0300, or
01-8437-0200

MATERIAL

Pipe: DIN 2440 Carbon Steel

Washer: ST 33

ORDERING INFORMATION

| Part Number | Description | Weight |
|--------------|--------------------------------------|------------------|
| 03-8331-0000 | Distance Pipe 3/4" + Washers 80L | 0.5 kg (1.1 lbs) |
| 03-8331-0140 | Distance Pipe 3/4" + Washers 140L | 0.5 kg (1.1 lbs) |

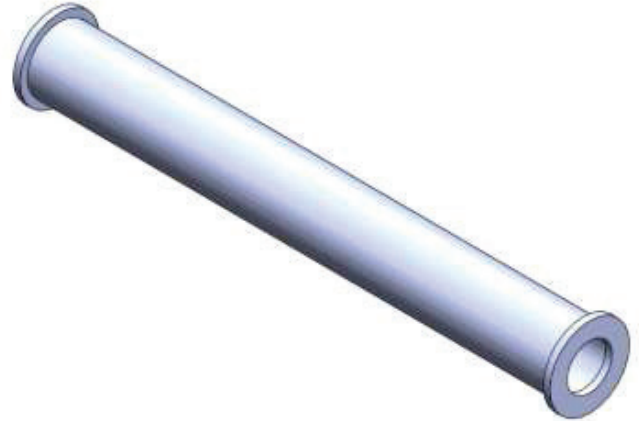


Figure 1.

COMPATIBILITY

| Series | DIOM P/N | Approvals* |
|-------------------|---------------|--------------|
| Natura IGS system | 06-237518-001 | LPCB, FM, UL |

* For additional listings, contact Kidde Fire Protection

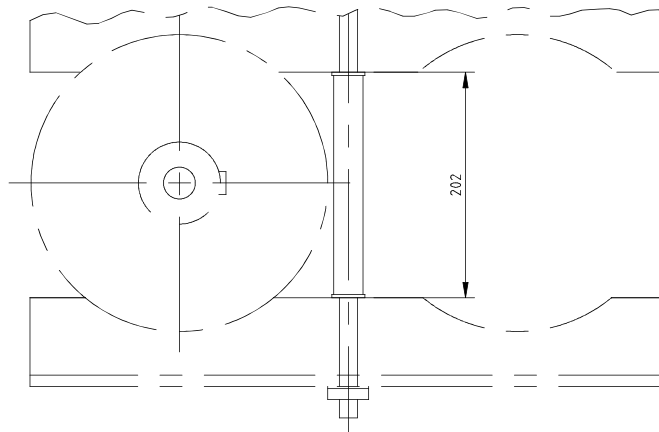
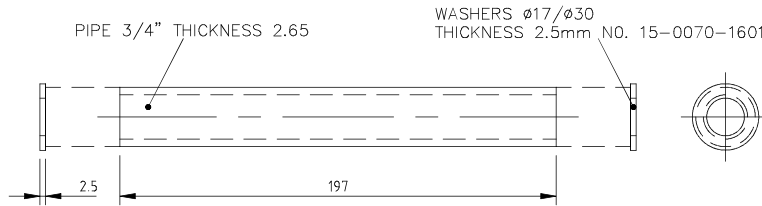


Figure 2. 80L Distance Pipe Dimensions

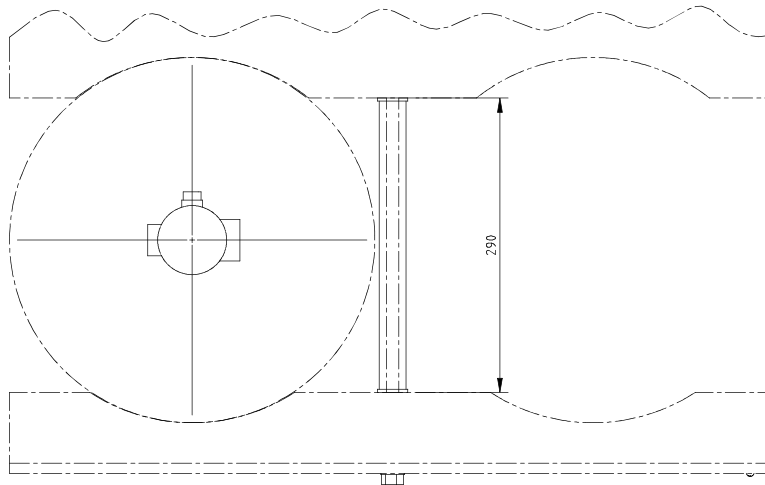
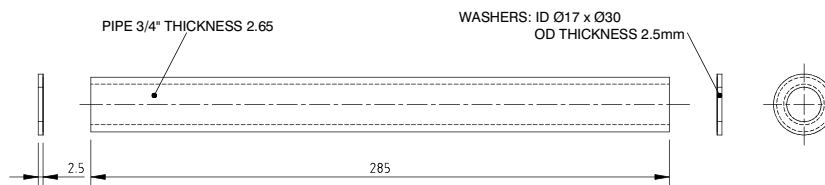


Figure 3. 140L Distance Pipe Dimensions

EXPORT INFORMATION (USA)

Jurisdiction: EAR

Classification: EAR99

This document contains technical data subject to the EAR.

This literature is provided for informational purposes only. Kidde-Fenwal, LLC believes this data to be accurate, but it is published and presented without any guarantee or warranty whatsoever. Kidde-Fenwal, LLC assumes no responsibility for the product's suitability for a particular application. The product must be properly applied to work correctly. If you need more information on this product, or if you have a particular problem or question, contact KIDDE-FENWAL, LLC, Ashland, MA 01721.

Kidde-Fenwal, LLC
400 Main Street
Ashland, MA 01721, USA

KFI U.K. Limited
Station Road,
Bentham, Lancaster, LA2 7NA, UK

Kidde Technologies
Survey No. 28/2, 44/2 and 45
Rasyani, Dandapta Road
Raigad Maharashtra-410207, India

kiddefenwal.com | 508.881.2000



Kidde Fire Systems, Kidde Fire Protection and Fenwal Controls branded products are created exclusively by Kidde-Fenwal, LLC.
Unistrut is a registered trademark of Atkore International Group. Argonite is a registered trademark of Kidde-Fenwal, LLC.
All other trademarks are the property of their respective owners.
2026© Kidde-Fenwal, LLC | All Rights Reserved

P/N: KDS 03-8331-0XX0, KP-38-3580 Rev. AD