

Kidde Fire Protection

NATURA™ (400 Series) Inert Gas System

Cylinder Racking Component Description

Endcover

FEATURES

- For Approvals, see the “COMPATIBILITY” table.
- REACH and RoHS compliant

DESCRIPTION

Use an endcover on each edge of the racking system to protect the edge.

MATERIAL

Body: Polyvinyl Chloride (PVC) White
Weight: 0.005 kg (0.01 lbs)

REFERENCE PARTS:

- Wall Mounting Rail for Manifold:
See P/N 01-8121/30-1000
- Bracket for Manifold: See P/N 01-8160-0150/0830

ORDERING INFORMATION

Part Number	Description
01-8131-0002	Endcover, White PVC 34 X 40 mm

COMPATIBILITY

Series	DIOM P/N	Approvals*
Natura IGS system	06-237518-001	LPCB, FM, UL
* For additional listings, contact Kidde Fire Protection		

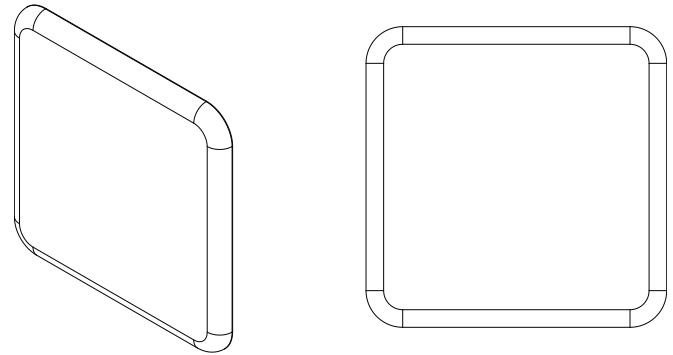


Figure 1.

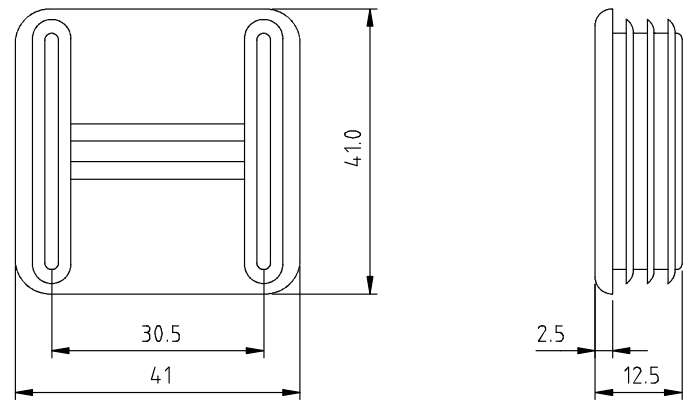


Figure 2.

This literature is provided for informational purposes only. Kidde-Fenwal, LLC believes this data to be accurate, but it is published and presented without any guarantee or warranty whatsoever. Kidde-Fenwal, LLC assumes no responsibility for the product's suitability for a particular application. The product must be properly applied to work correctly. If you need more information on this product, or if you have a particular problem or question, contact KIDDE-FENWAL, LLC, Ashland, MA 01721.

Kidde-Fenwal, LLC
400 Main Street
Ashland, MA 01721, USA

KFI U.K. Limited
Station Road,
Bentham, Lancaster, LA2 7NA, UK

Kidde Technologies
Survey No. 28/2, 44/2 and 45
Rasyani, Dandapta Road
Raigad Maharashtra-410207, India