

Kidde Fire Protection

NATURA™ (400 Series) Inert Gas System

Component Description

Fill Adapter

FEATURES

- For Approvals, see the “COMPATIBILITY” table.
- REACH and RoHS compliant

DESCRIPTION

Use the fill adapter (P/N 38-406000-001) when filling the cylinder/valve assemblies. The adapter is attached to the cylinder valve gauge port during cylinder charging. For fill instructions, see the Design, Installation, Operation, and Maintenance manual.

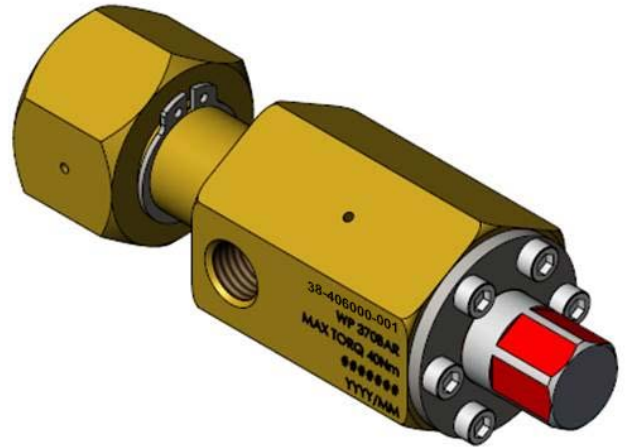
Note: Spare O-rings (P/N 38-406000-003) are available for the filling adapter.

SPECIFICATIONS

- Body Material: Brass
- Weight: 1 kg (2.2 lbs)

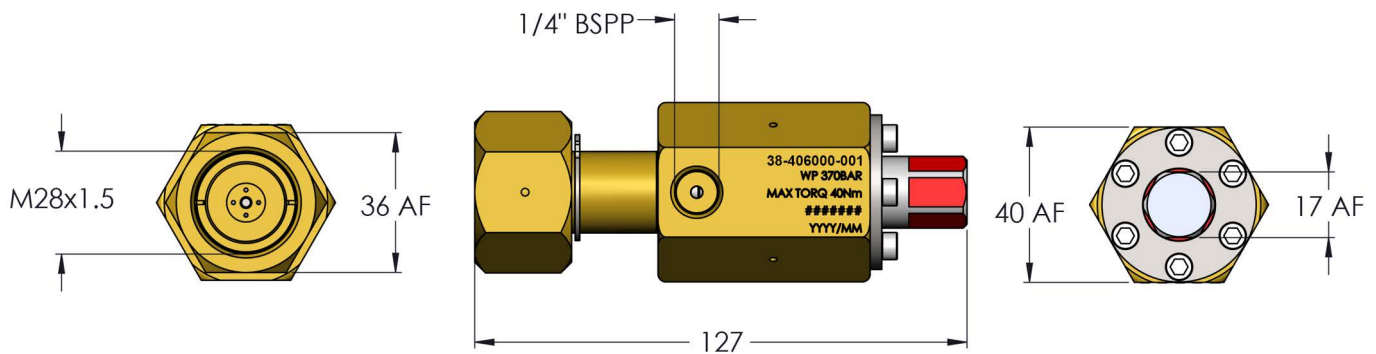
COMPATIBILITY

Series	DIOM P/N	Approvals*
Natura IGS system	06-237518-001	LPCB, FM, UL
* For additional listings, contact Kidde Fire Protection		



ORDERING INFORMATION

Part Number	Description
38-406000-001	Filling Adapter Assembly
38-406000-003	Spare O-Ring for Filling Adapters



This literature is provided for informational purposes only. Kidde-Fenwal, LLC believes this data to be accurate, but it is published and presented without any guarantee or warranty whatsoever. Kidde-Fenwal, LLC assumes no responsibility for the product's suitability for a particular application. The product must be properly applied to work correctly. If you need more information on this product, or if you have a particular problem or question, contact KIDDE-FENWAL, LLC, Ashland, MA 01721.

Kidde-Fenwal, LLC
400 Main Street
Ashland, MA 01721, USA

KFI U.K. Limited
Station Road,
Bentham, Lancaster, LA2 7NA, UK

Kidde Technologies
Survey No. 28/2, 44/2 and 45
Rasyani, Dandapta Road
Raigad Maharashtra-410207, India