

Kidde Fire Protection

NATURA™ (400 Series) Inert Gas System

Cylinder Racking Component Description

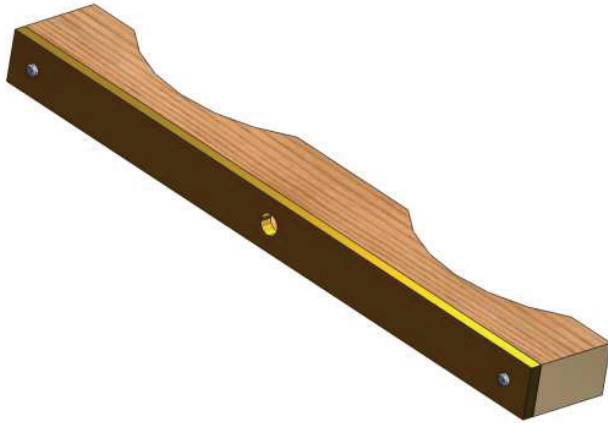
Wooden Clamping Bars and Spacers

FEATURES

- For Approvals, see the “COMPATIBILITY” table.
- *REACH and RoHS compliant*

FRONT CLAMPING BAR DESCRIPTION

The front clamping bar presses the cylinders against either the rear wooden spacer or center wooden spacer.



CENTER WOODEN SPACER DESCRIPTION

Use center wooden spacers between rows on multi-row cylinder banks.

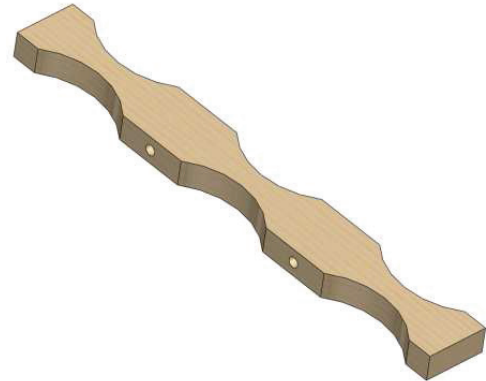


REAR WOODEN SPACER DESCRIPTION

The rear wooden spacer sits between the cylinder and the Unistrut®.



2x2 Cylinder Center Wooden Spacer



2x3 Cylinder Center Wooden Spacer

FRONT CLAMPING BAR DIMENSIONS

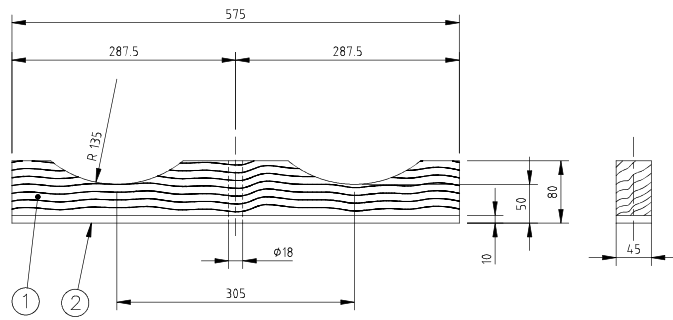


Figure 1. 03-8266-0000

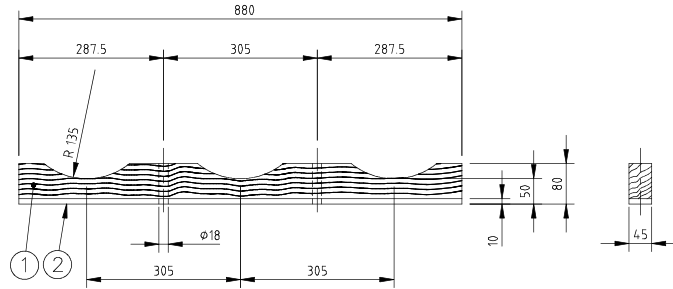


Figure 2. 03-8267-0000

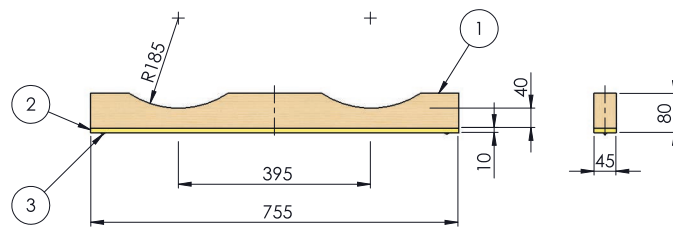
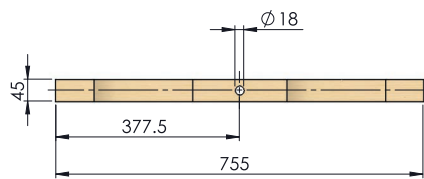


Figure 3. 03-8366-0000

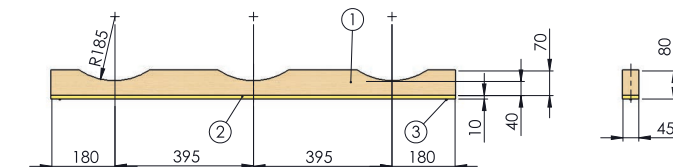
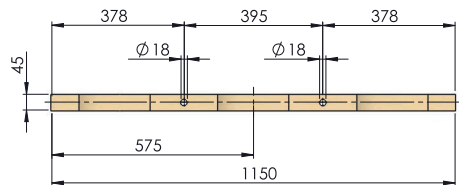


Figure 4. 03-8367-0000

REAR WOODEN SPACER DIMENSIONS

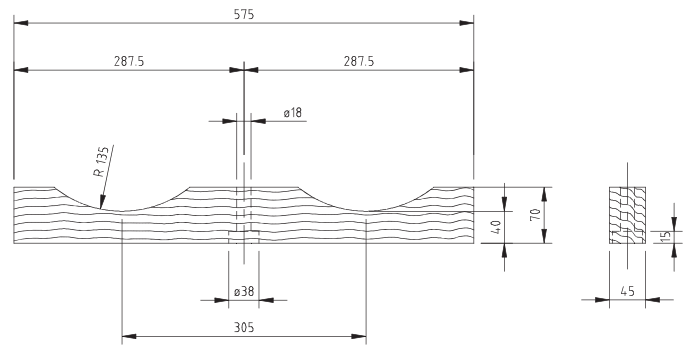


Figure 5. 03-8162-0000

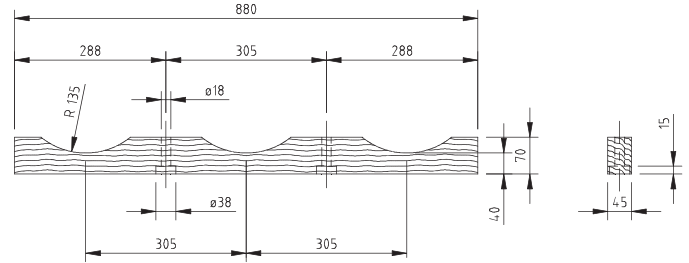


Figure 6. 03-8163-0000

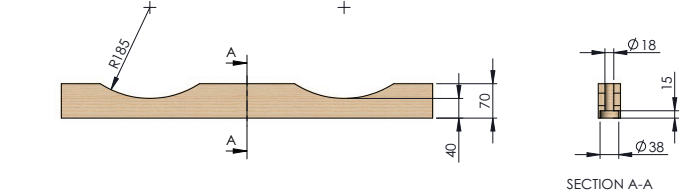
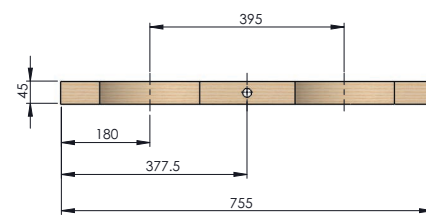


Figure 7. 03-8462-0000

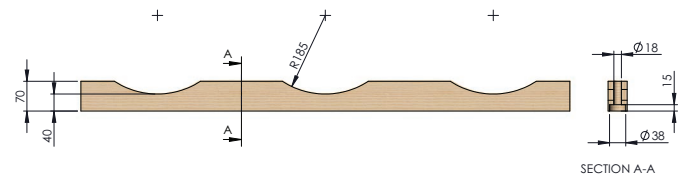
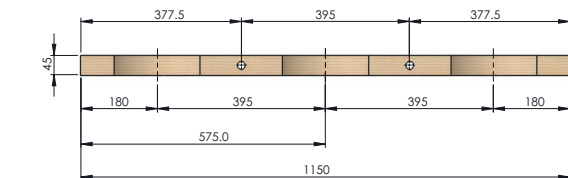


Figure 8. 03-8463-0000

CENTER WOODEN SPACER DIMENSIONS

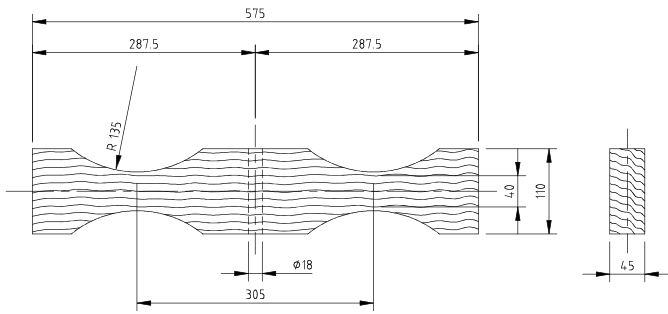


Figure 9. 03-8164-0000

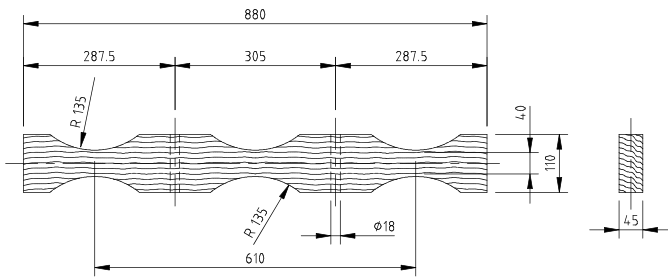


Figure 10. 03-8165-0000

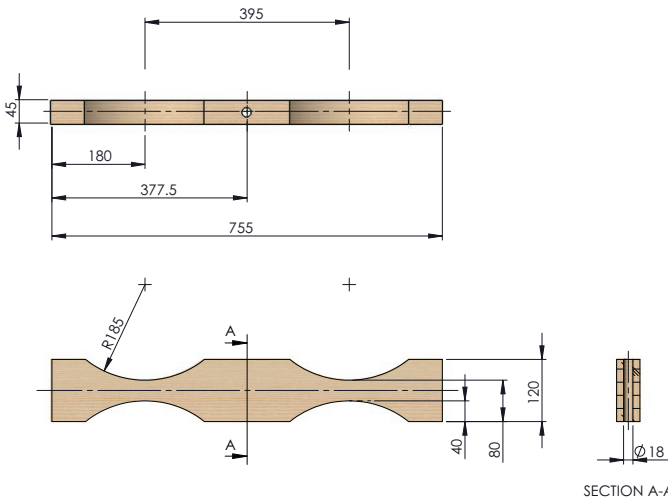


Figure 11. 03-8464-0000

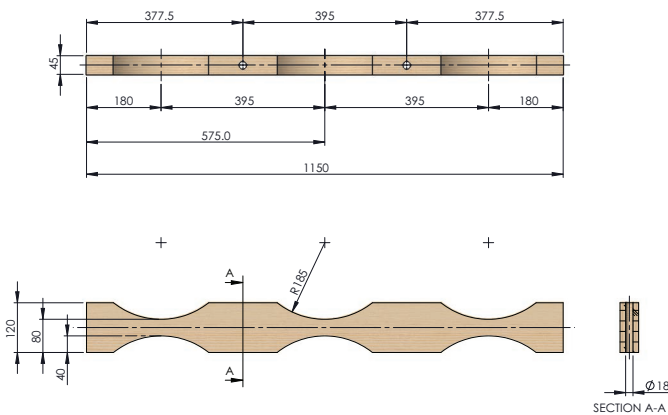


Figure 12. 03-8465-0000

MATERIAL

Body: Pine

Surface Treatment: Impregnated with Sadolin/Pinotex

Front Bars include:

Bar: Plated Steel

Screw: Button Head Woodscrew x 2

ORDERING INFORMATION

| Part Number | Description | Weight |
|-----------------------------|---|------------------|
| Front Clamping Bar | | |
| 03-8266-0000 | Clamping Bar 1 x 2 for 80L Cylinder (Front) | 2.6 kg (5.7 lb) |
| 03-8267-0000 | Clamping Bar 1 x 3 for 80L Cylinder (Front) | 4.1 kg (9.0lb) |
| 03-8366-0000 | Clamping Bar 1 x 2 for 140L Cylinder (Front) | 3.4 kg (7.5 lb) |
| 03-8367-0000 | Clamping Bar 1 x 3 for 140L Cylinder (Front) | 5.1 kg (11.2 lb) |
| Rear Wooden Spacer | | |
| 03-8162-0000 | Wooden Spacer 1 x 2 for 80L Cylinder (Rear) | 0.6 kg (1.3 lb) |
| 03-8163-0000 | Wooden Spacer 1 x 3 for 80L Cylinder (Rear) | 1.0 kg (2.2 lb) |
| 03-8462-0000 | Wooden Spacer 1x2 for 140L Cylinder (Rear) | 0.7 kg (1.5 lb) |
| 03-8463-0000 | Wooden Spacer 1x3 for 140L Cylinder (Rear) | 1.0 kg (2.2 lb) |
| Center Wooden Spacer | | |
| 03-8164-0000 | Wooden Spacer 2 x 2 for 80L Cylinder (Center) | 0.9 kg (2.0 lb) |
| 03-8165-0000 | Wooden Spacer 2 x 3 for 80L Cylinder (Center) | 1.4 kg (3.1 lb) |
| 03-8464-0000 | Wooden Spacer 2x2 for 140L Cylinder (Center) | 0.9 kg (2.0 lb) |
| 03-8465-0000 | Wooden Spacer 2x3 for 140L Cylinder (Center) | 1.4 kg (3.1 lb) |

COMPATIBILITY

| Series | DIOM P/N | Approvals* |
|--|---------------|--------------|
| Natura IGS system | 06-237518-001 | LPCB, FM, UL |
| * For additional listings, contact Kidde Fire Protection | | |

EXPORT INFORMATION (USA)

Jurisdiction: EAR

Classification: EAR99

This document contains technical data subject to the EAR.

This literature is provided for informational purposes only. Kidde-Fenwal, LLC believes this data to be accurate, but it is published and presented without any guarantee or warranty whatsoever. Kidde-Fenwal, LLC assumes no responsibility for the product's suitability for a particular application. The product must be properly applied to work correctly. If you need more information on this product, or if you have a particular problem or question, contact KIDDE-FENWAL, LLC, Ashland, MA 01721.

Kidde-Fenwal, LLC
400 Main Street
Ashland, MA 01721, USA

KFI U.K. Limited
Station Road,
Bentham, Lancaster, LA2 7NA, UK

Kidde Technologies
Survey No. 28/2, 44/2 and 45
Rasyani, Dandapta Road
Raigad Maharashtra-410207, India

kiddefenwal.com | 508.881.2000



Kidde Fire Systems, Kidde Fire Protection and Fenwal Controls branded products are created exclusively by Kidde-Fenwal, LLC.

Unistrut is a registered trademark of Atkore International Group. Argonite is a registered trademark of Kidde-Fenwal, LLC.

All other trademarks are the property of their respective owners.

2026© Kidde-Fenwal, LLC | All Rights Reserved

P/N: KDS 03-8X6X-0000, KP-38-3510 Rev. AD