

Kidde Fire Protection

NATURA™ (400 Series) Inert Gas System

Component Description

3/4" Manifold Check Valve

FEATURES

- For Approvals, see the "COMPATIBILITY" table.
- REACH and RoHS compliant

DESCRIPTION

Use the 3/4" Manifold Check Valve (P/N 38-4000002-002) between the discharge hose and the manifold.

SPECIFICATIONS

- Working Pressure: 307 bar at 50°C
- Test Pressure: 555 bar
- Min. Flow Area: 14mm DIA.
- Body Material: Brass, CuZn39Pb3 (EN12168-CW614N)
- Plunger Material: Ertacetal C (Pom-C)
- Weight: 0.28 kg (0.6 lbs)

Temp Range(s):

- ISO/EN: -20° to 50°C (-4° to 122°F)
- FM Approved / UL Listed: -20° to 54°C (-4° to 130°F)*

*Unless superseded by local/national standards

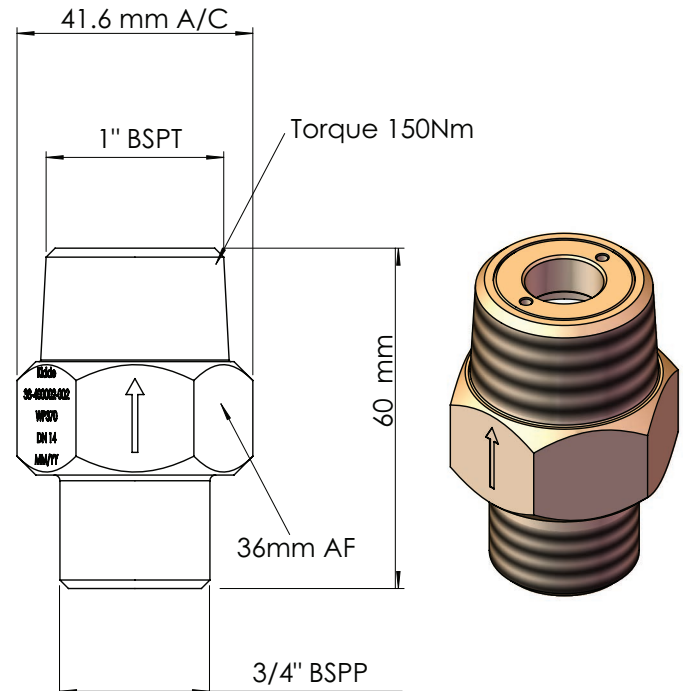
ORDERING INFORMATION

Part Number	Description
38-400002-002	3/4" BSP Manifold Check Valve

Note: Manifold Check Valves are included with pre-built manifold.

COMPATIBILITY

Series	DIOM P/N	Approvals*
Natura IGS system	06-237518-001	LPCB, FM, UL
* For additional listings, contact Kidde Fire Protection		



This literature is provided for informational purposes only. Kidde-Fenwal, LLC believes this data to be accurate, but it is published and presented without any guarantee or warranty whatsoever. Kidde-Fenwal, LLC assumes no responsibility for the product's suitability for a particular application. The product must be properly applied to work correctly. If you need more information on this product, or if you have a particular problem or question, contact KIDDE-FENWAL, LLC, Ashland, MA 01721.

Kidde-Fenwal, LLC
400 Main Street
Ashland, MA 01721, USA

KFI U.K. Limited
Station Road,
Bentham, Lancaster, LA2 7NA, UK

Kidde Technologies
Survey No. 28/2, 44/2 and 45
Rasyani, Dandapta Road
Raigad Maharashtra-410207, India