

# Kidde Fire Protection

## NATURA™ (400 Series) Inert Gas System

### Component Description

### Manifold Pressure Gauge

#### FEATURES

- For Approvals, see the “COMPATIBILITY” table.
- REACH and RoHS compliant

#### DESCRIPTION

The manifold pressure gauge (P/N 01-7221-0300) is a gauge that is connected to the manifold to provide pressure information.

#### SPECIFICATIONS

- Housing Material: Stainless Steel
- Connection Material: Stainless Steel
- Ingress Protection Rating: IP54
- Working Pressure: 370 bar AT 50°C
- Weight: 0.6 kg (1.3 lbs)

#### Temp Range(s):

- ISO/EN: -20° to 50°C (-4° to 122°F)
- FM Approved / UL Listed: -20° to 54°C (-4° to 130°F)\*

\*Unless superseded by local/national standards

#### ORDERING INFORMATION

Part Number	Description
01-7221-0300	Manifold Pressure Gauge



Figure 1.

#### COMPATIBILITY

Series	DIOM P/N	Approvals*
Natura IGS system	06-237518-001	LPCB, FM, UL
* For additional listings, contact Kidde Fire Protection		

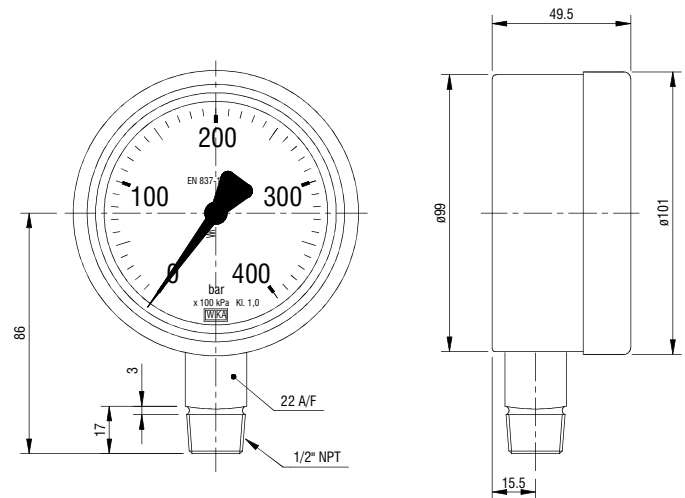


Figure 2.

This literature is provided for informational purposes only. Kidde-Fenwal, LLC believes this data to be accurate, but it is published and presented without any guarantee or warranty whatsoever. Kidde-Fenwal, LLC assumes no responsibility for the product's suitability for a particular application. The product must be properly applied to work correctly. If you need more information on this product, or if you have a particular problem or question, contact KIDDE-FENWAL, LLC, Ashland, MA 01721.

Kidde-Fenwal, LLC  
400 Main Street  
Ashland, MA 01721, USA

KFI U.K. Limited  
Station Road,  
Bentham, Lancaster, LA2 7NA, UK

Kidde Technologies  
Survey No. 28/2, 44/2 and 45  
Rasyani, Dandapta Road  
Raigad Maharashtra-410207, India