

Kidde Fire Protection

NATURA™ (400 Series) Inert Gas System

Component Description

Quick Connect Cables

FEATURES

- For Approvals, see the "COMPATIBILITY" table.
- REACH and RoHS compliant
- For Use with Normally Open (Under Pressure) Gauges Only

DESCRIPTION

Quick Connect cables provide a fast method of wiring the pressure gauges of the Release Unit and Slave Cylinder Gauge Assemblies.

COMPATIBILITY

Series	DIOM P/N	Approvals*
Natura IGS system	06-237518-001	LPCB, FM, UL

* For additional listings, contact Kidde Fire Protection

ORDERING INFORMATION

Part Number	Description
38-400005-100	Elbow (PG7) Plug x 2 Cable, Dual Core (0.34mm x 300mm) x Quick Connects (Male & Female)
38-400005-102	Gauge Signal Line - Quick Connect (MALE) Connector with 3m Fly lead (Dual Core Cable)
38-400005-103	Quick Connect (Male) x Dual Core (0.34mm x 1000mm) Fly-Lead
38-400005-105	Quick Connect (Female) x Dual Core (0.34mm x 1000mm) Fly-Lead

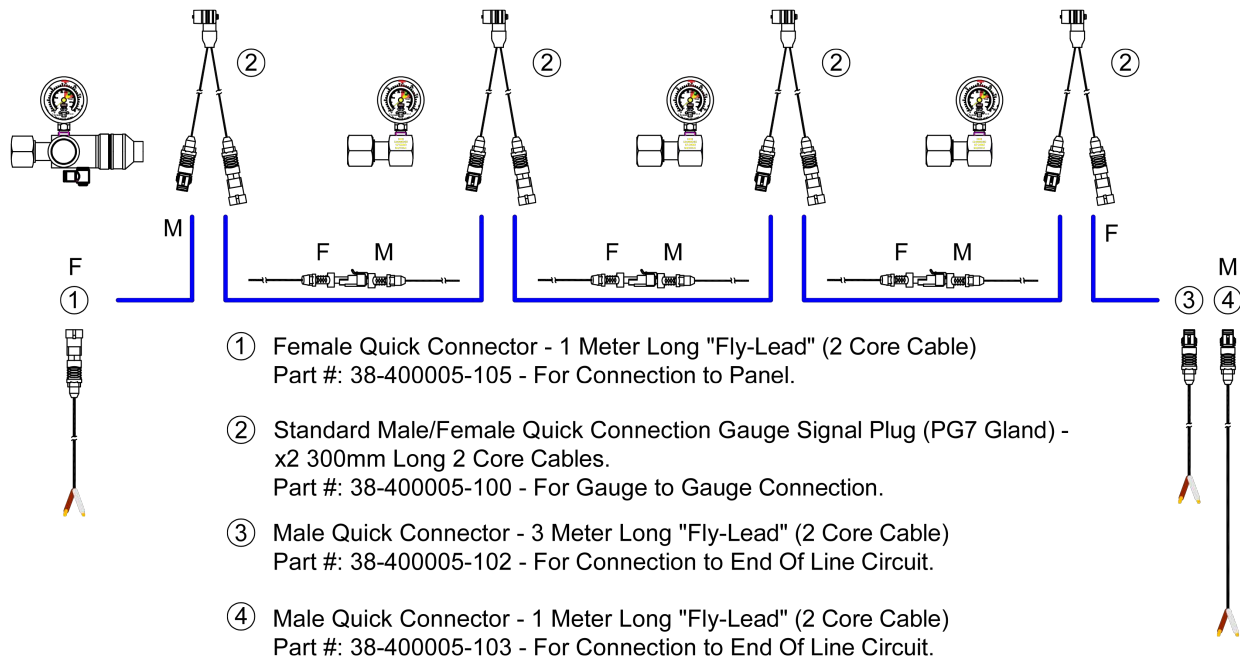


Figure 1.



Figure 2. L Plug x 2 Cable, Dual Core (0.34mm x 300mm) x Quick Connects (Male & Female)



Figure 3. Gauge Signal Line - Quick Connect (MALE) Connector with 3m Fly lead (Dual Core Cable)



Figure 4. Quick Connect (Male) x Dual Core (0.34mm x 1000mm) Fly-Lead



Figure 5. Quick Connect (Female) x Dual Core (0.34mm x 1000mm) Fly-Lead

SPECIFICATIONS

Cable:

- Conductor Count: 2
- Conductor Size: 22AWG (7x30)
- Material: Tinned Copper (TC)
- Insulation: Polyvinyl Chloride (PVC)
- Protection: PVC Outer Jacket (CMG)
- Min Bend Radius: 44mm (1.75in)

Temp Range(s):

- ISO/EN: -20° to 50°C (-4° to 122°F)
- FM Approved / UL Listed: -20° to 54°C (-4° to 130°F)*

*Unless superseded by local/national standards

EXPORT INFORMATION (USA)

Jurisdiction: EAR

Classification: EAR99

This document contains technical data subject to the EAR.

This literature is provided for informational purposes only. Kidde-Fenwal, LLC believes this data to be accurate, but it is published and presented without any guarantee or warranty whatsoever. Kidde-Fenwal, LLC assumes no responsibility for the product's suitability for a particular application. The product must be properly applied to work correctly. If you need more information on this product, or if you have a particular problem or question, contact KIDDE-FENWAL, LLC, Ashland, MA 01721.

Kidde-Fenwal, LLC
400 Main Street
Ashland, MA 01721, USA

KFI U.K. Limited
Station Road,
Bentham, Lancaster, LA2 7NA, UK

Kidde Technologies
Survey No. 28/2, 44/2 and 45
Rasyani, Dandapta Road
Raigad Maharashtra-410207, India

kiddefenwal.com | 508.881.2000

Kidde Fire Systems, Kidde Fire Protection and Fenwal Controls branded products are created exclusively by Kidde-Fenwal, LLC.
Unistrut is a registered trademark of Atkore International Group. Argonite is a registered trademark of Kidde-Fenwal, LLC.
All other trademarks are the property of their respective owners.
2026© Kidde-Fenwal, LLC | All Rights Reserved

P/N: KDS 38-400005-10X, KP-38-2125 Rev. AD