

# Kidde Fire Protection

## NATURA™ (400 Series) Inert Gas System

### Component Description

#### Release Unit

#### FEATURES

- For Approvals, see the “COMPATIBILITY” table.
- REACH and RoHS compliant

#### DESCRIPTION

Release units connect to the gauge port of the primary cylinder and are used to release the agent to the piping system. Release units can be electric operated only or manual/electric. Depending on the control panel needs, release units can be purchased with pressure gauges using normally open or normally closed contacts (when under pressure).

Release units that include manual operation have a tamper proof seal on the operation pin. Replacement seals are included in the Release Unit Service kit, P/N: 38-400001-010.

#### SPECIFICATIONS

Nominal Working Pressure: 300 bar (4350 psi)

Max Working Pressure at 50°C (122°F):

366 bar (5307 psi)

Weight: 1.8 kg (3.97 lbs)

Switch:

Voltage: 4.5-24 VDC

Current: 5-100mA, Contact Load 2.4W max

Gauge:

St. St. Casing

Accuracy Class 1.6 in

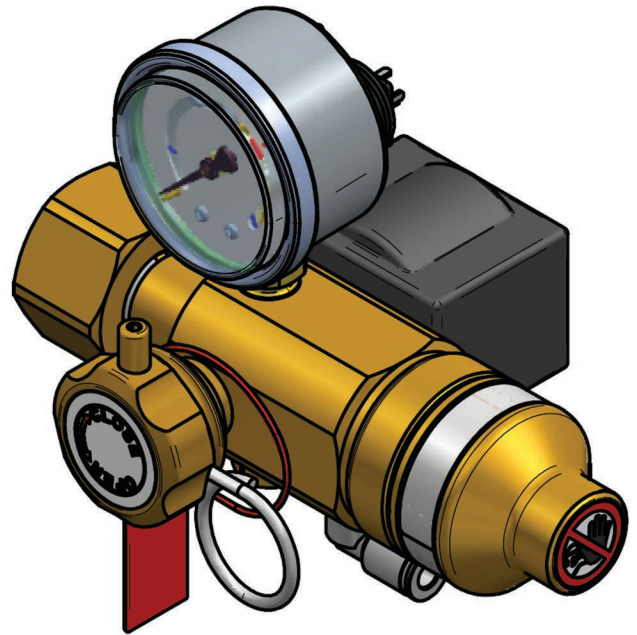
Scale: IP 65

Temp Range(s):

ISO/EN: -20° to 50°C (-4° to 122°F)

FM Approved / UL Listed: -20° to 54°C (-4° to 130°F)\*

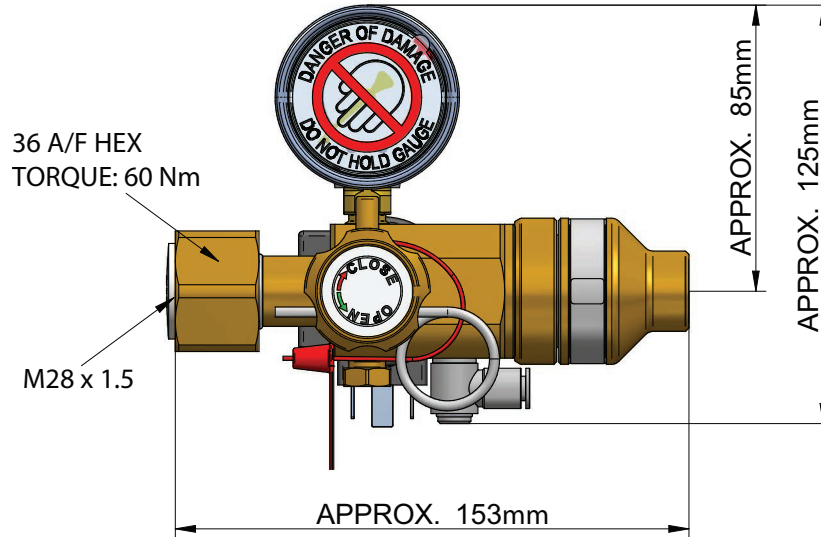
\*Unless superseded by local/national standards



## ORDERING INFORMATION

Part Number	Pressure Rating	Operation	Contact	Pressure Trip Limit
38-400001-001	200 Bar	Manual/Electric	Normally Open	160 bar
38-400001-002	200 Bar	Manual/Electric	Normally Closed	160 bar
38-400001-003	300 Bar	Manual/Electric	Normally Open	240 bar
38-400001-004	300 Bar	Manual/Electric	Normally Closed	240 bar
38-406000-003	Spare O-Ring for Release Units			

## DIMENSIONS



## COMPATIBILITY

Series	DIOM P/N	Approvals*
Natura IGS system	06-237518-001	LPCB, FM, UL
* For additional listings, contact Kidde Fire Protection		

### EXPORT INFORMATION (USA)

Jurisdiction: EAR

Classification: EAR99

This document contains technical data subject to the EAR.

This literature is provided for informational purposes only. Kidde-Fenwal, LLC believes this data to be accurate, but it is published and presented without any guarantee or warranty whatsoever. Kidde-Fenwal, LLC assumes no responsibility for the product's suitability for a particular application. The product must be properly applied to work correctly. If you need more information on this product, or if you have a particular problem or question, contact KIDDE-FENWAL, LLC, Ashland, MA 01721.

Kidde-Fenwal, LLC  
400 Main Street  
Ashland, MA 01721, USA

KFI U.K. Limited  
Station Road,  
Bentham, Lancaster, LA2 7NA, UK

Kidde Technologies  
Survey No. 28/2, 44/2 and 45  
Rasyani, Dandapta Road  
Raigad Maharashtra-410207, India

[kiddefenwal.com](http://kiddefenwal.com) | 508.881.2000

 **KiddeFenwal**

Kidde Fire Systems, Kidde Fire Protection and Fenwal Controls branded products are created exclusively by Kidde-Fenwal, LLC.

Unistrut is a registered trademark of Atkore International Group. Argonite is a registered trademark of Kidde-Fenwal, LLC.

All other trademarks are the property of their respective owners.

2026© Kidde-Fenwal, LLC | All Rights Reserved

P/N: KDS 38-400001-0XX, KP-38-2110 Rev. AD