

REL-iON™ Monitoring System

8-Port Expansion SensorHub

P/N: 31-EXP-8HUB

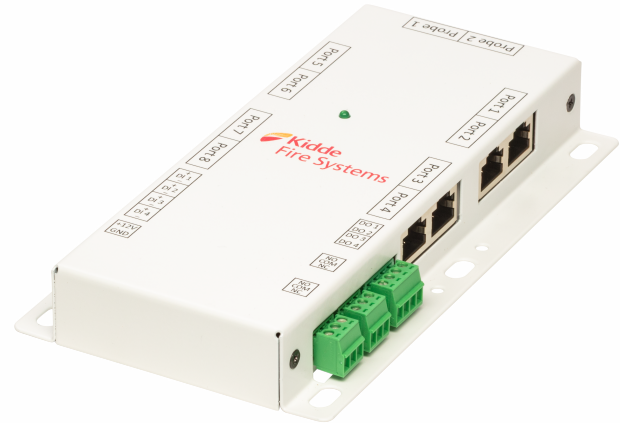
Effective: February 2026
K-31-512 Rev. AA

Description

An expansion hub can easily be added to the 31-BASE-WIRED SensorGateway to increase the number of sensors and features available for use.

Key Features

- Expansion SensorHub plugs into the 31-BASE-WIRED SensorGateway with a maximum length of 1m (3.3 ft.)
- Powered by the 31-BASE-WIRED.
- 4 dry contact outputs and 2 relay outputs provided for automatic control.
- Maximum 1 Expansion SensorHub per 31-BASE-WIRED SensorGateway.



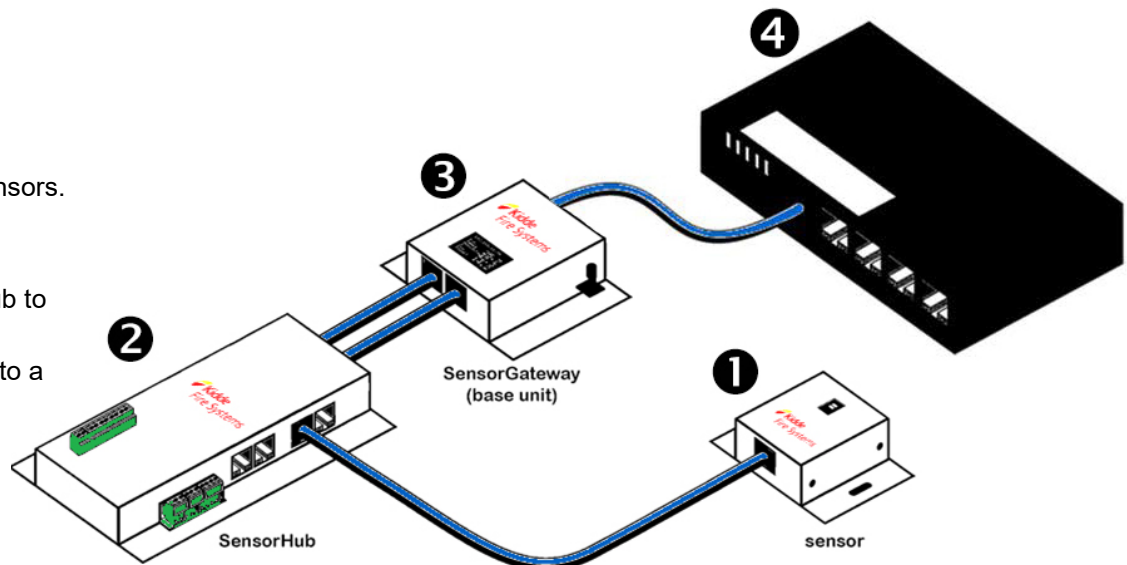
Specifications

Certifications	UL/ULC 62368
Expansion ports for external sensor probes	8
NOTE: Ports 1,2,3,4 and 7 are high speed ports. High speed ports are used with Thermography sensors.	
Power Source	SensorGateway (31-BASE-WIRED)
Power Usage	588 mW
Connectivity	RJ45 cable transmitting data and power from Base Unit to Sensor
Cable specification	RJ45 CAT 6/7 recommended
Dry contact input ports	4 (1 - 12 VDC power output 500ma)
Dry contact output ports	4 (1 - 12 VDC power output 500ma)

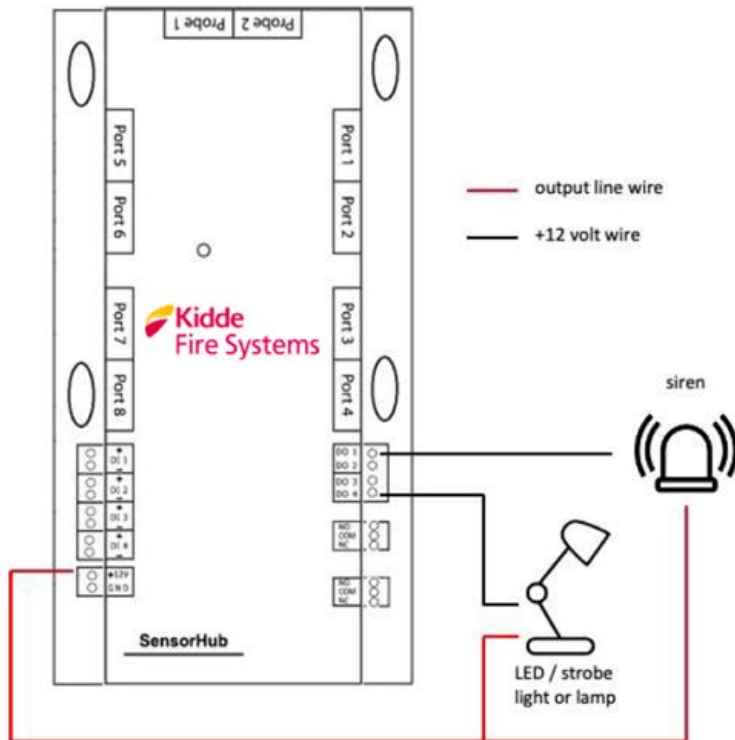
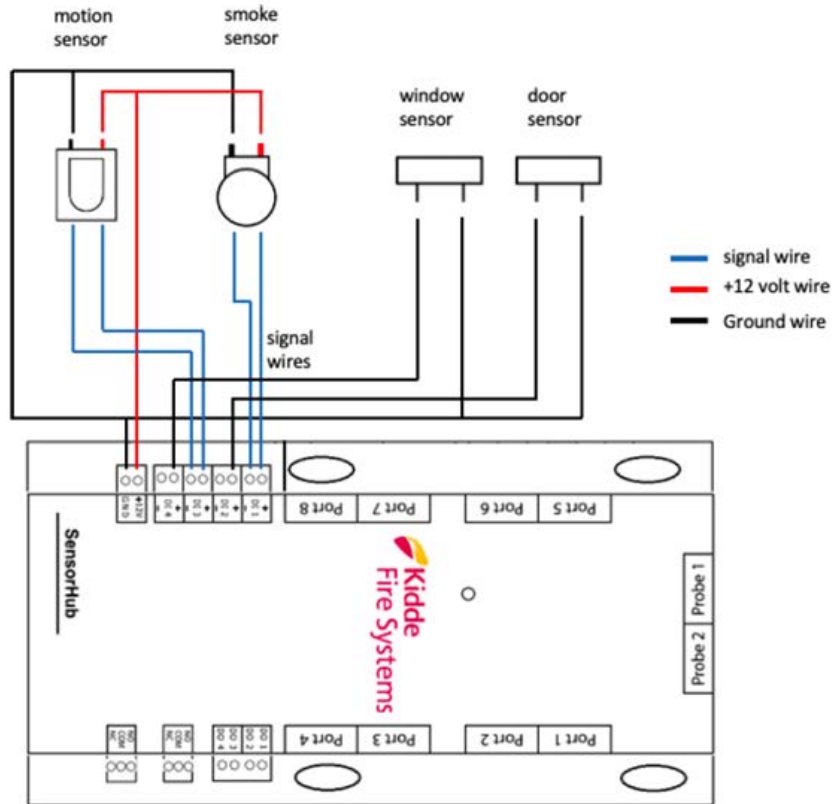
Relay outputs	2 (400VAC/150VDC @ 200VA/192W)
Auxillary power	+12V to +24V power input
Operating temperature range	0°C to +75°C (32°F to +167°F)
Mounting option	0U rack, DIN rail, magnetic, or wall mountable sensor
Dimensions	165mm (6.5") x 95mm (3.7") x 22mm (0.8")
Weight	0.57 kg (1.26 lbs.)

SIMPLE AS 1-2-3-4:

- #1 Select one or more sensors.
- #2 Plug sensor(s) into the SensorHub.
- #3 Connect the SensorHub to the base unit.
- #4 Connect the base unit to a switch.



Typical Configuration



This literature is provided for informational purposes only. Kidde-Fenwal, LLC believes this data to be accurate, but it is published and presented without any guarantee or warranty whatsoever. Kidde-Fenwal, LLC assumes no responsibility for the product's suitability for a particular application. The product must be properly applied to work correctly. If you need more information on this product, or if you have a particular problem or question, contact KIDDE-FENWAL, LLC, Ashland, MA 01721.

Kidde-Fenwal, LLC
400 Main Street
Ashland, MA 01721, USA

KFI U.K. Limited
Station Road,
Bentham, Lancaster, LA2 7NA, UK

Kidde Technologies
Survey No. 28/2, 44/2 and 45
Rasyani, Dandapta Road
Raigad Maharashtra-410207, India

KiddeFenwal

EXPORT INFORMATION (USA)
Jurisdiction: EAR
Classification: EAR99

Kidde Fire Systems, Kidde Fire Protection and Fenwal Controls branded products are created exclusively by Kidde-Fenwal, LLC. All other trademarks are the property of their respective owners.

This document contains technical data subject to the EAR.