

P/N: 87-120099-002

FEATURES

- **For Use in:**
 - WHDR™ Commercial Cooking Fire Suppression Systems
 - IND™ Industrial Fire Suppression Systems
- Pneumatic Release of up to 20 Agent Cylinders
- Two Discrete Mechanical Detection Lines
- Cylinder or Wall Mount
- Up to 400 ft. Mechanical Detection Cable
- Operates 2 Gas Valves
- Available 24 V Electrical Actuation
- Multiple Remote Release Options
- Rugged, Die-Cast Aluminum Body
- Tamper/Lock Port for Cover
- Easy to Install and Maintain
- UL & ULC Listed
- FM Approved for IND Systems

DESCRIPTION

The Kidde Fire Systems XV Control System is a compact, versatile unit used to actuate agent cylinders on Kidde Fire Systems WHDR and IND Pre-Engineered fire suppression systems. The control head can be operated via:

- Two Distinct Automatic Mechanical Detection Lines (fusible links or thermo-bulb links)
- Optional Electrical Solenoid
- Remote or Local Manual Mechanical Control

Upon actuation, the XV Control System discharges the nitrogen System Cartridge, pressurizing the actuation lines and System Valve Actuators (SVA) mounted on the cylinder valve(s). The SVA(s) open the cylinder valve(s),

discharging the WHDR wet chemical or IND dry chemical suppression agent. The XV Control System can be mounted on a wall or directly to an SVA mounted on the cylinder.

The XV Control System is UL and ULC Listed with WHDR Wet Chemical and IND Dry Chemical Fire Suppression Systems. The XV Control System is FM approved with the IND Dry Chemical Systems.

The XV Control System comes ready to install, with three EMT connectors, one System Valve Actuator (SVA), two microswitches, one nitrogen System Cartridge, and one nitrogen test cartridge.



Figure 1. XV Control System, P/N 87-120099-002

TECHNICAL DATA

Table 1: Mechanical Cable Parameters for WHDR & IND Systems

XV Cable Line	Max. Cable Length	Max. Corner Pulleys	Max. Detectors	Max. Tee Pulleys
Detection and Manual Release-to-Trip Line 1	200 ft. (60.96 m)	50	40	*
Detection and Manual Release-to-Trip Line 2	200 ft. (60.96 m)	50	40	*
Pull-to-Trip Remote Manual Release Line	100 ft. (30.48 m)	30	-	1*
Mechanical Gas Valve Line	100 ft. (30.48 m)	30	-	1*

*Tee pulleys count as two Corner Pulleys. Maximum is from XV Control, through the pulley, to each device.

Table 2: Actuation Parameters for WHDR Wet Chemical Systems

Number of Extinguishing System Cylinders	Maximum Total Length Copper Actuation Tubing	Minimum Total Length of Copper Actuation Tubing
1-12	106 ft. (32.30 m)	5 ft. (1.52 m)
13-20	91 ft. (27.73 m)	

Table 3: Actuation Parameters for IND Industrial Dry Chemical and Open-Face Spray Booth Systems

Number of Extinguishing System Cylinders	Maximum Total Length Copper Actuation Tubing	Minimum Total Length of Copper Actuation Tubing
1-14	166 ft. (50.60 m)	5 ft. (1.52 m)
15-20	121 ft. (36.88 m)	

Table 4: Actuation Parameters for IND Dry Chemical for Vehicle Spray Booths

Number of Extinguishing System Cylinders	Maximum Total Length Copper Actuation Tubing	Minimum Total Length of Copper Actuation Tubing
1-8	200 ft. (60.96 m)	5 ft. (1.52 m)
9-15	160 ft. (48.76 m)	
16-20	140 ft. (42.67 m)	

NOTES

1. Braided high pressure nitrogen tubing (P/N 87-120045-00X), is required to connect the XV Control System to the System Valve Actuator (SVA) when the XV Control System is cylinder mounted.
2. Copper tubing shall be 1/4-inch O.D. x 0.031-inch wall high pressure tubing.
3. When Control System is cylinder mounted and two or more cylinders are being actuated, a minimum of 5 ft. (1.52 m) of 1/4-inch O.D. x 0.031-inch wall tubing shall be used for actuation lines.
4. When Control System is wall mounted, a minimum of 5 ft. (1.52 m) of 1/4-inch O.D. x 0.031-inch wall tubing shall be used in the overall actuation line.
5. High pressure nitrogen tubing (P/N 87-120045-00X) may be used in place of copper tubing, not to exceed a maximum length of 30 feet (9 m).
6. In every system, either single cylinder or multiple cylinder, a 1/8-inch NPT plug or vent check (P/N WK-877810-000) shall be used in the outlet port of the last System Valve Actuator(s) in the actuation line.
7. A maximum of 2 Pressure Switches (P/N 486536) may be used in the actuation line.

SYSTEM NITROGEN CARTRIDGE, P/N 87-120043-001

The XV Control System uses a nitrogen cartridge for actuating the system cylinders and is charged with dry nitrogen (see Figure 2). The cartridge is mounted inside the XV Control System to protect it from tampering and provides the date of manufacturing and space (gray band) for recording the installation date.

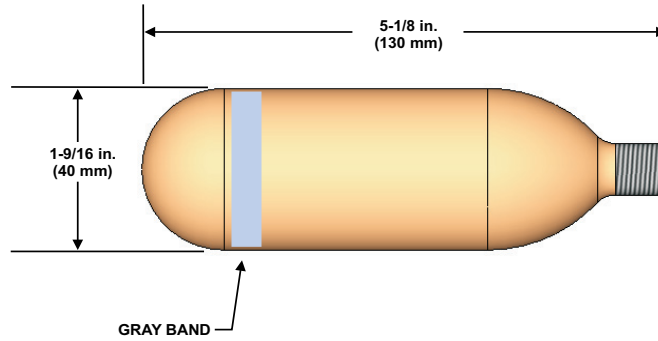


Figure 2. System Nitrogen Cartridge, P/N 87-120043-001

TEST CARTRIDGE, P/N 87-120044-001

The Test Cartridge is used for functional testing of the Kidde Fire Systems WHDR Wet Chemical System and IND Dry Chemical System*. The cartridge has a red band and is labeled "TEST CARTRIDGE" as shown in Figure 3.

***Note:** The System Nitrogen Cartridge P/N 87-120043-001 is required for actuation and full discharge or "puff" tests, and when a time delay is included (as in systems protecting Vehicle Spray Booths).

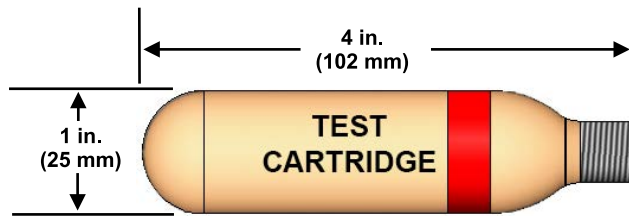


Figure 3. Test Cartridge, P/N 87-120044-001

SYSTEM VALVE ACTUATOR (SVA), P/N 87-120042-001

A System Valve Actuator (SVA) must be mounted to every system cylinder valve assembly (see Figure 4). The SVA has ports for low profile tubing runs, and is also equipped with a spring loaded plunger that locks the piston in the discharged position, ensuring complete discharge of the cylinder(s) contents.

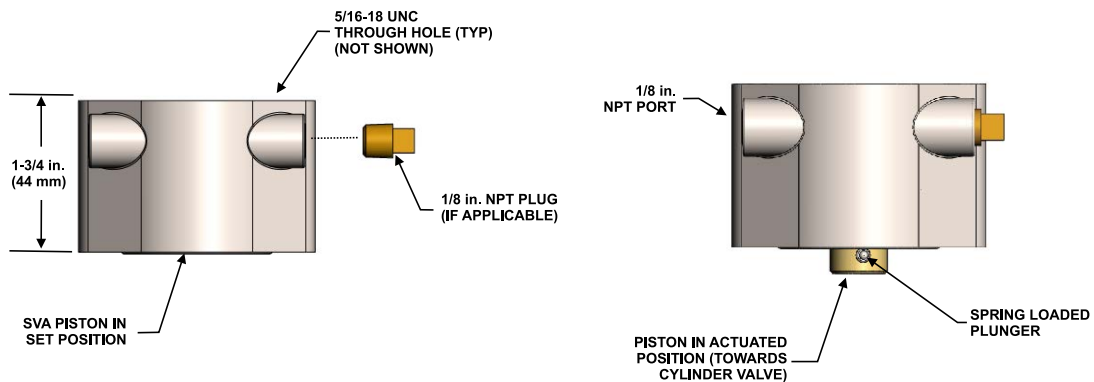


Figure 4. System Valve Actuator (SVA), P/N 87-120042-001

**HIGH-PRESSURE NITROGEN TUBING,
P/N 87-120045-00X**

The High-Pressure Nitrogen Tubing is used to connect the XV Control System to the SVA on all installations in which the XV Control System is mounted to a wet or dry chemical cylinder. (see Figure 5). A 1/8-inch NPT (male) x 3/8-24 JIC Adapter is included with the High Pressure Nitrogen Tubing.

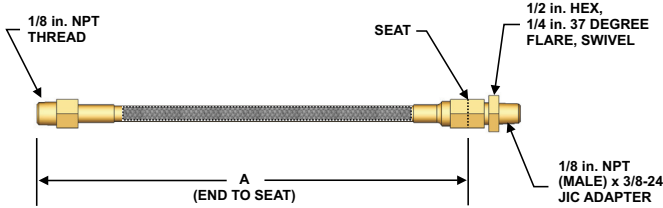


Figure 5. External Tubing for XV Control System, P/N 87-120045-00X

Table 5: External Tubing for XV Control System

Part Number	Length "A"
87-120045-001	7-1/2 in. (191 mm)
87-120045-002	24 in. (610 mm)
87-120045-003	60 in. (1524 mm)

SOLENOID, P/N 83-100034-001

An optional solenoid can be installed into the XV Control System, just under the actuation latch. The solenoid operates directly on the actuation latch to activate the system. This installation allows simultaneous usage of mechanical detection lines, or the lines can be locked out. The solenoid includes two mounting bolts, the bracket and a push plate which mounts onto the solenoid body (Figure 6). The solenoid coil is 24 Vdc at 1.5 Amp and at 70°F (21°C). Refer to Figure 7 for Release Wiring with Terminal Type Microswitch.

When actuating the XV Control System with an optional solenoid, a UL Compatible and Listed fire control panel with a supervised power supply is required, such as the Kidde Fire Systems AEGIS or ARIES.

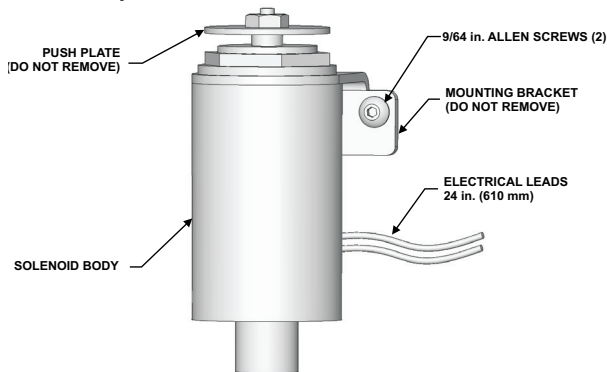
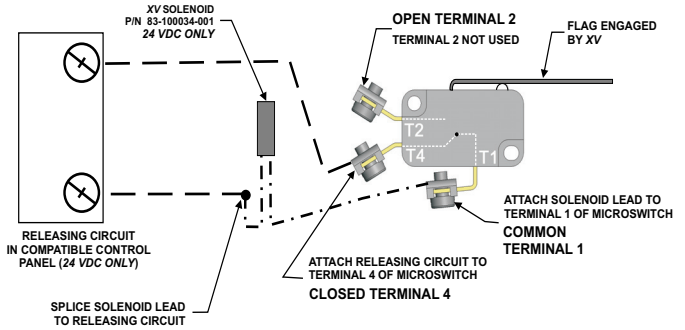
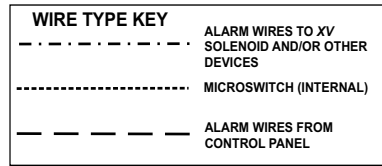


Figure 6. Solenoid, P/N 83-100034-001



SWITCH POSITION WHEN XV FLAG/CAM IS IN SET POSITION

Figure 7. Release Wiring with Terminal Type Microswitch

Note: Where electric detection and/or actuation is provided, supervision shall be provided in accordance with NFPA 72, National Fire Alarm and Signaling Code. Alarms and indicators, along with a supervised power source, shall be provided in accordance with NFPA 72. Electrical wiring and equipment shall be provided in accordance with NFPA 70, National Electric Code. All installations are subject to the approval of the Authority Having Jurisdiction (AHJ).

KEEPER PIN, P/N 60-9197108-000

The Keeper Pin (P/N 60-9197108-000) is used to prevent actuation while installing the system.



Figure 8. Keeper Pin, P/N 60-9197108-000

ORDERING INFORMATION

Description	Part Number
XV Control System includes: (1) 87-120042-001 System Valve Actuator (1) 87-120043-001 System Nitrogen Cartridge (1) 87-120044-001 Test Cartridge (1) 87-120058-001 EMT Connector Kit (1) 87-120039-001 Microswitch Kit (1) 87-120039-501 Microswitch Kit	87-120099-002
System Valve Actuator	87-120042-001
System Nitrogen Cartridge	87-120043-001
Test Cartridge	87-120044-001
High Pressure Hose for Cylinder Mount	87-120045-001
EMT Connector Kit	87-120058-001
Solenoid Electric Actuator Kit	83-100034-001
Microswitch Kit (SPDT), Solid Color Leads	87-120039-001
Microswitch Kit (SPDT), Striped Color Leads	87-120039-501
Terminal Type Microswitch Kit (SPDT)	87-120047-001

REFERENCE INFORMATION

- WHDR Systems designed and installed according to manual P/N 87-122000-001.
- IND Systems designed and installed according to manual P/N WK-220423-000.
- Vehicle Spray Booth Systems designed and installed according to manual P/N 83-100036-001.

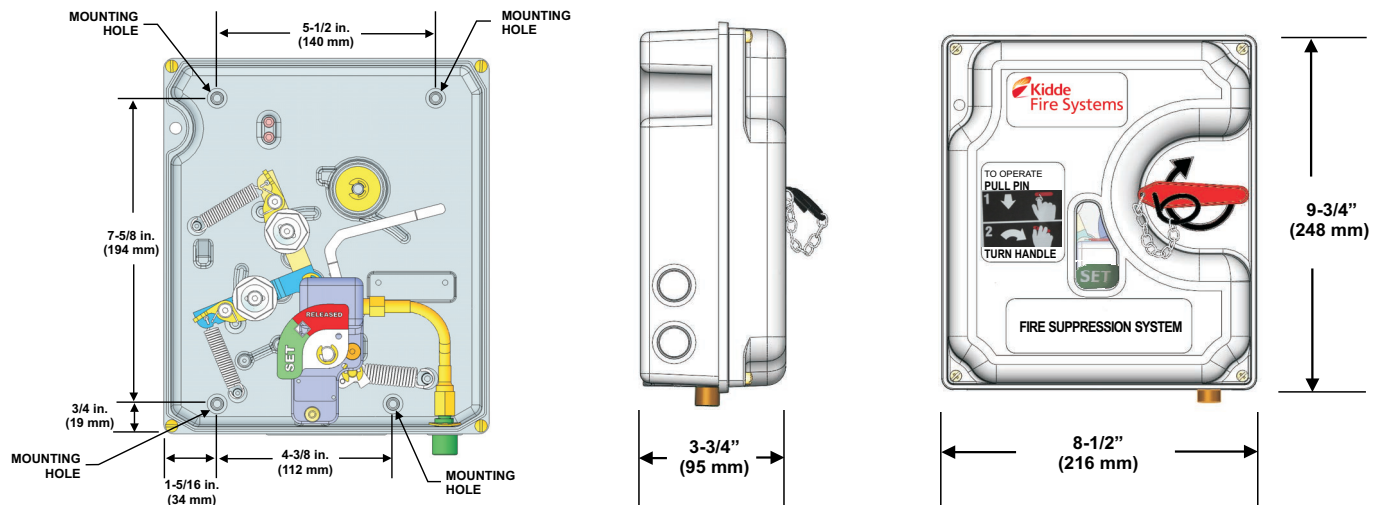


Figure 9. XV Control System Dimensions

Kidde Fire Systems, Kidde Fire Protection and Fenwal Controls branded products are created exclusively by Kidde-Fenwal, LLC, 400 Main St, Ashland, MA 01721, USA. All other trademarks are the property of their respective owners.

This literature is provided for informational purposes only. Kidde-Fenwal, LLC believes this data to be accurate, but it is published and presented without any guarantee or warranty whatsoever. Kidde-Fenwal, LLC assumes no responsibility for the product's suitability for a particular application. The fire suppression system design, installation, maintenance, service and troubleshooting must be performed by trained, authorized Kidde Fire Systems distributors for the product to work correctly. If you need more information on this product, or if you have a particular problem or question, contact: Kidde-Fenwal, LLC, Ashland, MA 01721 USA, Tel: +1 (508) 881-2000.



K-87-027 Rev AH
 © 2025 Kidde-Fenwal, LLC

EXPORT INFORMATION (USA)
 Jurisdiction: EAR
 Classification: EAR99

This document contains technical data subject to the EAR.

Kidde-Fenwal, LLC
 400 Main Street
 Ashland, MA 01721
 Ph: 508.881.2000
kiddefenwal.com